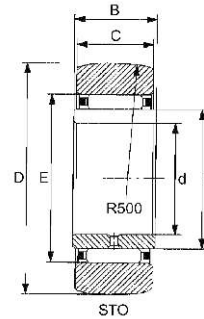
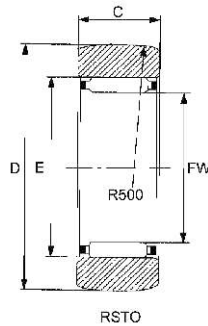


**Support Rollers**

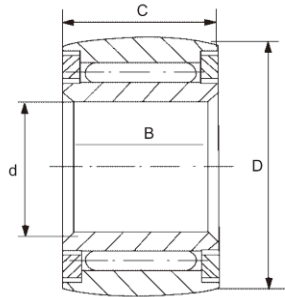


**Yoke Type Track Rollers**

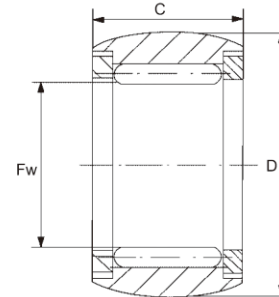
Shaft Diameter mm	Bearing Code	Boundary Dimensions			Basic Load Rating		Limiting Speed	Mass
		Fw	D	C	Dynamic	Static	Oil rpm	g
		mm			N			
16	RSTO5X	7	16	7.8	2800	2600	23000	8,5
	RSTO5TN	7	16	7.8	2800	2600	23000	8,5
	RSTO5XTN	7	16	7.8	2800	2600	23000	8,5
19	RSTO6	10	19	9.8	5200	6550	18000	12,5
	RSTO6TN	10	19	10	5200	6550	18000	12,5
	RSTO6XTN	10	19	10	5200	6550	18000	12,5
24	RSTO8	12	24	9.8	5600	7650	16000	21
	RSTO8X	12	24	9.8	5600	7650	16000	21
	RSTO8TN	12	24	10	5600	7650	16000	21
30	RSTO10	14	30	11.8	10000	10800	12000	44
	RSTO10X	14	30	11.8	10000	10800	12000	44
32	RSTO12	16	32	11.8	10600	12000	10000	49
	RSTO12X	16	32	11.8	10600	12000	10000	49
35	RSTO15	20	35	11.8	12500	15600	7000	52
	RSTO15X	20	35	11.8	12500	15600	7000	52
40	RSTO17	22	40	15.8	18300	23600	6300	95
	RSTO17X	22	40	15.8	18300	23600	6300	95
47	RSTO20	25	47	15.8	19000	26000	5300	134
	RSTO20X	25	47	15.8	19000	26000	5300	134
	RSTO25	25	47	15.8	19000	26000	5300	155
62	RSTO25X	25	47	15.8	19000	26000	5300	155
	RSTO30	38	62	19.8	31500	52000	3000	258
	RSTO30X	38	62	19.8	31500	52000	3000	258
80	RSTO35	38	62	19.8	31500	52000	3000	370
	RSTO35X	38	62	19.8	31500	52000	3000	370
	RSTO40	50	80	19.8	36500	68000	1800	430
85	RSTO40X	50	80	19.8	36500	68000	1800	430
	RSTO45	55	85	19.8	38000	75000	1600	447
90	RSTO45X	55	85	19.8	38000	75000	1600	447
	RSTO50	60	90	19.8	40000	80000	1500	495
	RSTO50X	60	90	19.8	40000	80000	1500	495

# Bearings for Material Handling System

## Support Rollers



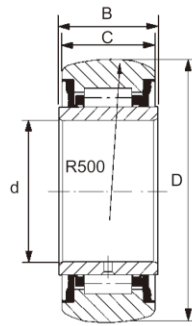
STO...ZZ



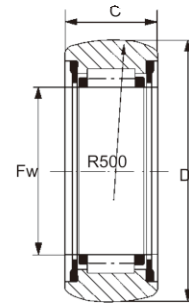
RSTO...ZZ

### Yoke Type Track Rollers

Shaft Diameter mm	Bearing Code	Boundary Dimensions				Basic Load Rating		Limiting Speed	Mass
		d	D	B	C	Dynamic	Static	Oil rpm	g
		mm				N			
19	STO6	6	19	10	9.8	5200	6550	18000	18
	STO6X	6	19	10	9.8	5200	6550	18000	18
24	STO8	8	24	10	9.8	5600	7650	16000	28
	STO8X	8	24	10	9.8	5600	7650	16000	28
30	STO10	10	30	12	11.8	10000	10800	12000	51
	STO10X	10	30	12	11.8	10000	10800	12000	51
32	STO12	12	32	12	11.8	10600	12000	10000	57
	STO12X	12	32	12	11.8	10600	12000	10000	57
35	STO15	15	35	12	11.8	12500	15600	7000	64
	STO15X	15	35	12	11.8	12500	15600	7000	64
40	STO17	17	40	16	15.8	18300	23600	6300	114
	STO17X	17	40	16	15.8	18300	23600	6300	114
47	STO20	20	47	16	15.8	19000	26000	5300	156
	STO20X	20	47	16	15.8	19000	26000	5300	156
	STO20ZZ	20	47	20	19.8	19000	26000	5300	156
	STO25	25	47	16	15.8	19000	26000	5300	182
62	STO25X	25	47	16	15.8	19000	26000	5300	182
	STO30	30	62	20	19.8	31500	26000	5300	325
72	STO30X	30	62	20	19.8	31500	52000	3000	325
	STO30ZZ	30	62	20	19.8	31500	52000	3000	325
	STO35	35	72	20	19.8	31500	52000	3000	435
80	STO35X	35	72	20	19.8	31500	52000	3000	435
	STO35ZZ	35	72	20	19.8	31500	52000	3000	435
	STO40	40	80	20	19.8	36500	68000	1800	540
85	STO40X	40	80	20	19.8	36500	68000	1800	540
	STO40ZZ	40	80	20	28.5	36500	68000	1800	540
	STO45	45	85	20	19.8	38000	75000	1600	580
90	STO45X	45	85	20	19.8	38000	75000	1600	580
	STO50	50	90	20	19.8	40000	80000	1500	650
	STO50X	50	90	20	19.8	40000	80000	1500	650



NA22...2RS



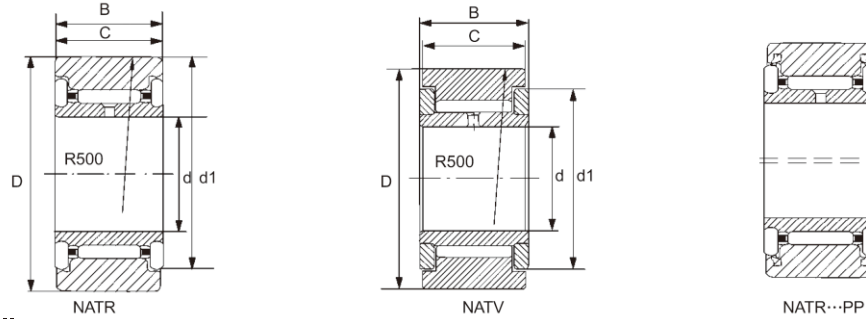
RNA22...2RS

**Yoke Type Track Rollers**

Shaft Diameter mm	Bearing Code				Boundary Dimensions					Basic Load Rating		Limiting Speed
	Without IR	Mass g	With IR	Mass g	d	FW	D	B	C	Dynamic N	Static N	Oil rpm
19	RNA22/6 2RS	18	NA22/6 2RS	22	6	10	19	12	11.8	5000	4350	18000
	RNA22/6 2RSX	18	NA22/6 2RSX	22	6	10	19	12	11.8	5000	4350	18000
24	RNA22/8 2RS	29	NA22/8 2RS	34	8	12	24	12	11.8	5500	5200	14000
	RNA22/8 2RSX	29	NA22/8 2RSX	34	8	12	24	12	11.8	5500	5200	14000
30	RNA2200 2RS	52	NA2200 2RS	60	10	14	30	14	13.8	7600	8100	11000
	RNA2200 2RSX	52	NA2200 2RSX	60	10	14	30	14	13.8	7600	8100	11000
32	RNA2201 2RS	57	NA2201 2RS	67	12	16	32	14	13.8	8500	9700	9500
	RNA2201 2RSX	57	NA2201 2RSX	67	12	16	32	14	13.8	8500	9700	9500
35	RNA2202 2RS	60	NA2202 2RS	75	15	20	35	14	13.8	9600	12000	7000
	RNA2202 2RSX	60	NA2202 2RSX	75	15	20	35	14	13.8	9600	12000	7000
40	RNA2203 2RS	94	NA2203 2RS	112	17	22	40	16	15.8	12000	16500	6000
	RNA2203 2RSX	94	NA2203 2RSX	112	17	22	40	16	15.8	12000	16500	6000
47	RNA2204 2RS	152	NA2204 2RS	177	20	25	47	18	17.8	18500	21900	4600
	RNA2204 2RSX	152	NA2204 2RSX	177	20	25	47	18	17.8	18500	21900	4600
52	RNA2205 2RS	179	NA2205 2RS	209	25	30	52	18	17.8	20100	26000	3500
	RNA2205 2RSX	179	NA2205 2RSX	209	25	30	52	18	17.8	20100	26000	3500
62	RNA2206 2RS	284	NA2206 2RS	324	30	35	62	20	19.8	23000	28000	2800
	RNA2206 2RSX	284	NA2206 2RSX	324	30	35	62	20	19.8	23000	28000	2800
72	RNA2207 2RS	432	NA2207 2RS	505	35	42	72	23	22.7	29800	46300	2200
	RNA2207 2RSX	432	NA2207 2RSX	505	35	42	72	23	22.7	29800	46300	2200
80	RNA2208 2RS	530	NA2208 2RS	628	40	48	80	23	22.7	38200	57700	1700
	RNA2208 2RSX	530	NA2208 2RSX	628	40	48	80	23	22.7	38200	57700	1700
85	RNA2209 2RS	545	NA2209 2RS	655	45	52	85	23	22.7	40300	63800	1600
	RNA2209 2RSX	545	NA2209 2RSX	655	45	52	85	23	22.7	40300	63800	1600
90	RNA22010 2RS	563	NA22010 2RS	690	50	58	90	23	22.7	66000	86000	1300
	RNA22010 2RSX	563	NA22010 2RSX	690	50	58	90	23	22.7	66000	86000	1300

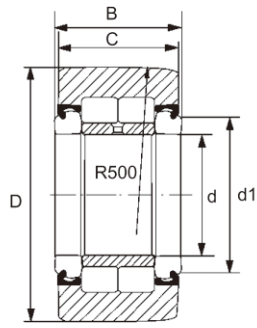
# Bearings for Material Handling System

## Support Rollers

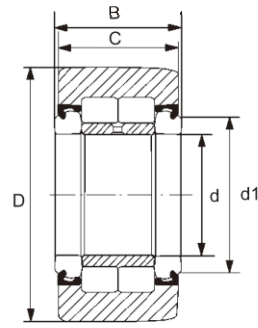


### Yoke Type Track Rollers

Shaft Diameter mm	Bearing Code		Boundary Dimensions						Basic Load Rating		Limiting Speed	
	Without Seal	Sealed	d	D	B	C	d1	rs	Dynamic	Static	Oil	
			mm							N		rpm
16	NATR 5	NATR 5 PP	5	16	12	11	12	0.15	3150	3300	22000	
	NATV 5	NATV 5 PP	5	16	12	11	12	0.15	4850	6500	8500	
19	NATR 6	NATR 6 PP	6	19	12	11	14	0.15	3500	3900	20000	
	NATV 6	NATV 6 PP	6	19	12	11	14	0.15	5500	7900	7000	
24	NATR 8	NATR 8 PP	8	24	15	14	19	0.3	5500	6400	15000	
	NATV 8	NATV 8 PP	8	24	15	14	19	0.3	7800	11400	5500	
30	NATR 10	NATR 10 PP	10	30	15	14	23	0.6	6800	8400	11000	
	NATV 10	NATV 10 PP	10	30	15	14	23	0.6	9500	14600	4500	
32	NATR 12	NATR 12 PP	12	32	15	14	25	0.6	6900	8800	9000	
	NATV 12	NATV 12 PP	12	32	15	14	25	0.6	9700	15400	3900	
35	NATR 15	NATR 15 PP	15	35	19	18	27	0.6	9700	14100	7000	
	NATV 15	NATV 15 PP	15	35	19	18	27	0.6	12800	23000	3400	
40	NATR 17	NATR 17 PP	17	40	21	20	32	1	10900	15500	6000	
	NATV 17	NATV 17 PP	17	40	21	20	32	1	14800	26500	2900	
47	NATR 20	NATR 20 PP	20	47	25	24	37	1	15500	25500	4900	
	NATV 20	NATV 20 PP	20	47	25	24	37	1	20600	42000	2600	
52	NATR 25	NATR 25 PP	25	52	25	24	42	1	15400	26500	3600	
	NATV 25	NATV 25 PP	25	52	25	24	42	1	20500	44000	2100	
62	NATR 30	NATR 30 PP	30	62	29	28	51	1	23600	38500	2600	
	NATV 30	NATV 30 PP	30	62	29	28	51	1	30500	63000	1700	
72	NATR 35	NATR 35 PP	35	72	29	28	58	1.1	25500	44500	2000	
	NATV 35	NATV 35 PP	35	72	29	28	58	1.1	33000	73000	1400	
80	NATR 40	NATR 40 PP	40	80	32	30	66	1.1	33000	59000	1700	
	NATV 40	NATV 40 PP	40	80	32	30	66	1.1	41000	90000	1300	
85	NATR 45	NATR 45 PP	45	85	32	30	72	1.1	32500	59000	1500	
90	NATR 50	NATR 50 PP	50	90	32	30	76	1.1	32000	59000	1300	
	NATV 50	NATV 50 PP	50	90	32	30	76	1.1	40500	93000	1000	



NUTR



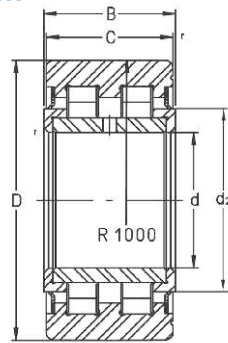
NUTR...X

**Yoke Type Track Rollers**

Shaft Diameter mm	Bearing Code	Boundary Dimensions							Basic Load Rating		Limiting Speed
		d	D	B	C	d1	rs	ris	Dynamic	Static	Oil
		mm					min		N		rpm
35	NUTR 15	15	35	19	18	20	0,6	0,3	16000	18300	6500
40	NUTR 17	17	40	21	20	22	1	0,3	18500	22800	5500
42	NUTR 15 42	15	42	19	18	20	0,6	0,3	19400	23800	6500
47	NUTR 17 47	17	47	21	20	22	1	0,3	21300	28000	5500
	NUTR 20	20	47	25	24	27	1	0,3	28000	35000	4200
52	NUTR 20 52	20	52	25	24	27	1	0,3	31500	41000	4200
	NUTR 25	25	52	25	24	31	1	0,3	29000	37500	3400
62	NUTR 25 62	25	62	25	24	31	1	0,3	35500	50000	3400
	NUTR 30	30	62	29	28	38	1	0,3	40000	51000	2600
72	NUTR 30 72	30	72	29	28	38	1	0,3	48000	65000	2600
	NUTR 35	35	72	29	28	44	1,1	0,6	45000	61000	2100
80	NUTR 35 80	35	80	29	28	44	1,1	0,6	51000	72000	2100
	NUTR 40	40	80	32	30	51	1,1	0,6	56000	76000	1600
85	NUTR 45	45	85	32	30	55	1,1	0,6	56000	79000	1400
90	NUTR 40 90	40	90	32	30	51	1,1	0,6	66000	96000	1600
	NUTR 50	50	90	32	30	60	1,1	0,6	57000	81000	1300
100	NUTR 45 100	45	100	32	30	55	1,1	0,6	72000	108000	1400
110	NUTR 50 110	50	110	32	30	60	1,1	0,6	76000	121000	1300

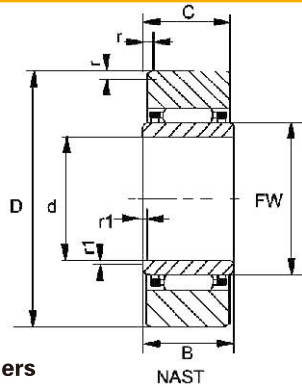
## Bearings for Material Handling System

### Support Rollers

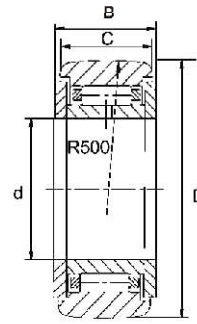


#### Yoke Type Track Rollers

Bearing Code	Boundary Dimensions					Basic Load Rating		Limiting Speed	Mass
	d	D	B	C	d <sub>2</sub>	Dynamic	Static	rpm	kg
	mm					N			
PWTR15-2RS	15	35	19	18	20	11900	14600	6000	0.099
PWTR1542-2RS	15	42	19	18	20	13900	15200	6000	0.158
PWTR17-2RS	17	40	21	20	22	13600	17200	5000	0.147
PWTR1747-2RS	17	47	21	20	22	15100	17200	5000	0.220
PWTR20-2RS	20	47	25	24	27	23800	30500	3800	0.245
PWTR2052-2RS	20	52	25	24	27	26000	34000	3800	0.321
PWTR25-2RS	25	52	25	24	31	24600	33000	3800	0.281
PWTR2562-2RS	25	62	25	24	31	29000	40500	3800	0.450
PWTR30-2RS	30	62	29	28	38	34000	45500	2200	0.465
PWTR3072-2RS	30	72	29	28	38	40000	54000	2200	0.697
PWTR35-2RS	35	72	29	28	44	38000	54000	1800	0.630
PWTR3580-2RS	35	80	29	28	44	42500	64000	1800	0.836
PWTR40-2RS	40	80	32	30	50,5	43500	61000	1500	0.816
PWTR4090-2RS	40	90	32	30	50,5	51000	75000	1500	1.129
PWTR45-2RS	45	85	32	30	55,2	44500	63000	1300	0.883
PWTR45100-2RS	45	100	32	30	55,2	55000	85000	1300	1.396
PWTR50-2RS	50	90	32	30	59,8	44500	66000	1100	0.950
PWTR50110-2RS	50	110	32	30	59,8	58000	94000	1100	1.690



NAST



NAST-2Z

Yoke Type Track Rollers

Shaft Diameter mm	Bearing Code	Boundary Dimensions				Basic Load Rating		Limiting Speed	Mass kg
		d	D	B	C	Dynamic	Static	Oil	
		mm				N		rpm	
6	NAST6	6	19	10	9.8	5200	4900	18000	0.018
	NAST6-ZZR	6	19	14	13.8	5200	4900	18000	0.024
	NAST6-2Z	6	19	14	13.8	5200	4900	18000	0.024
8	NAST8	8	24	10	9.8	5600	7650	16000	0.028
	NAST8-ZZR	8	24	14	13.8	5600	7650	16000	0.040
	NAST8-2Z	8	24	14	13.8	5600	7650	16000	0.040
10	NAST10	10	30	16	15.8	10000	10800	12000	0.050
	NAST10-ZZR	10	30	16	15.8	10000	10800	12000	0.065
	NAST10-2Z	10	30	16	15.8	10000	10800	12000	0.065
	NAST10X28X12	10	28	12	11.8	10000	10800	12000	0.065
12	NAST12	12	32	12	11.8	10600	12000	10000	0.058
	NAST12-ZZR	12	32	16	15.8	10600	12000	10000	0.075
	NAST12-2Z	12	32	16	15.8	10600	12000	10000	0.075
15	NAST15-ZZR	15	35	16	15.8	12500	15600	7000	0.083
	NAST15-2Z	15	35	16	15.8	12500	15600	7000	0.083
17	NAST17	17	40	20	19.8	18300	23600	6300	0.135
	NAST17-2Z	17	40	20	19.8	18300	23600	6300	0.135
20	NAST20-ZZR	20	47	20	19.8	19000	26000	5300	0.195
	NAST20-2Z	20	47	20	19.8	19000	26000	5300	0.195
25	NAST25-2Z	25	52	20	19.8	21200	31500	4300	0.225
	NAST25-ZZR	25	52	20	19.8	21200	31500	4300	0.225
30	NAST30-ZZR	30	62	25	24.8	31500	52000	3000	0.400
	NAST30-2Z	30	62	25	24.8	31500	52000	3000	0.400
35	NAST 35-ZZR	35	72	25	24.8	32000	54000	2400	0.550
	NAST35-2Z	35	72	25	24.8	32000	54000	2400	0.550
40	NAST40-2Z	40	80	26	25.8	36500	68000	1800	0.710
45	NAST45-ZZR	45	85	26	25.8	38000	75000	1600	0.760
	NAST45-2Z	45	85	26	25.8	38000	75000	1600	0.760
50	NAST50-2Z	50	90	26	25.8	39500	87000	1400	0.830